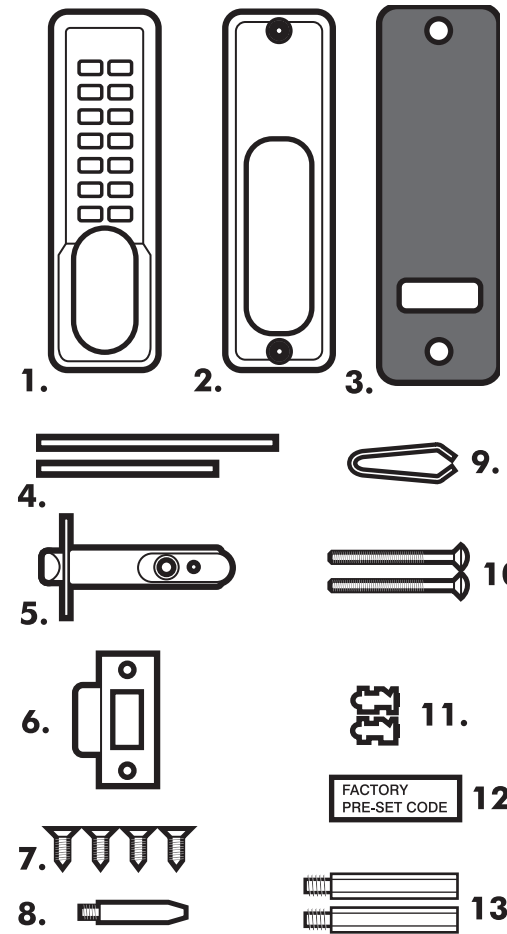


Digital Door Lock

- **Parts List**
- **Installation**
- **General Information**



Parts List

Please make sure you have received all the following parts:

1. Lock Case.
2. Back Plate. with 'Hold Open' snib.
3. Neoprene Seals. x 2
4. Spindles. (only one is used).
5. Latch. (60mm standard).
6. Strike Plate.
7. Wood Screws. (use with latch & strike plate).
8. Latch Support Post.
9. Tweezers. (for changing the code).
10. Fixing Bolts. 4 supplied (2 sizes).
11. Code Tumblers. (spare x 2)
12. Code Card.
13. Hexagonal Studs.

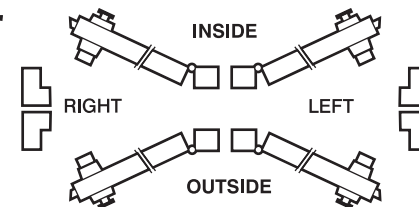
Special Notes

- The 'Hold Open' model is equipped with a snib on the backplate. This enables the latchbolt to be held open when required. (S2235 / S2235PB & S2235PC)
- Before commencing installation, check that all the parts are working correctly. Press the code according to the Code Card and then the knob should turn and return easily under spring pressure. If you intend to change the code, you should do it **BEFORE** installing the lock.
- See the code change instructions (on the Template sheet enclosed).
- Make sure that the lever handle of the backplate moves freely. Check that the snib will engage and hold the handle in the 'Latch Open' position, if it is a model with a latch hold open snib.
- Check that the latchbolt moves freely by pressing at the end and also by turning the flat spindle in the latch cam.

1. Installation

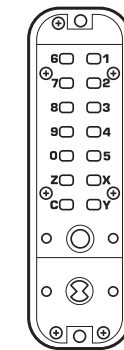
Check the hand of your door

Your door is right handed if viewed from the outside, the hinges are on the right.

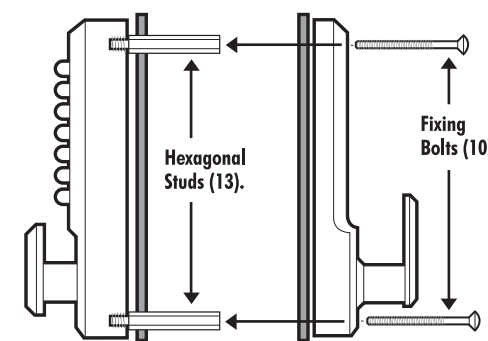


All the locks are pre-set in the factory for right hand opening doors, to change to left hand opening:- please refer to item numbers 2. and 3. opposite

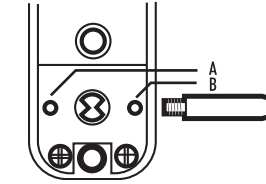
Lock Case Body.



Ensure hexagonal studs (13) are fitted to the lockcase to receive the fixing bolts (10).



2. Latch support post

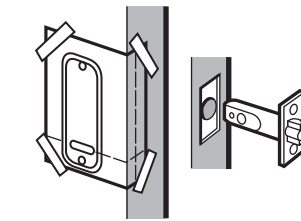


Fit the latch support post in hole A for a right hand hung door, or B for a left hand hung door.

3. Back plate handle

To reverse the direction of the back plate handle, remove the BLUE screw and replace in the opposite threaded hole.

4. Apply the template



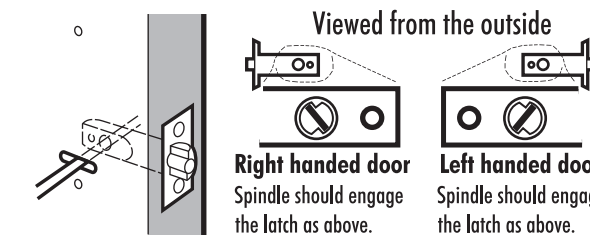
- Tape the template to the door. Make sure that you fold it along the appropriate line, depending on the backset of the latch (60mm or 70mm).
- Mark and drill all six 10mm holes.
- Use a chisel to clear the line of 4 x 10mm holes into a single slot.
- To ensure trouble free operation, holes must be drilled accurately.

Positioning and fixing the latch

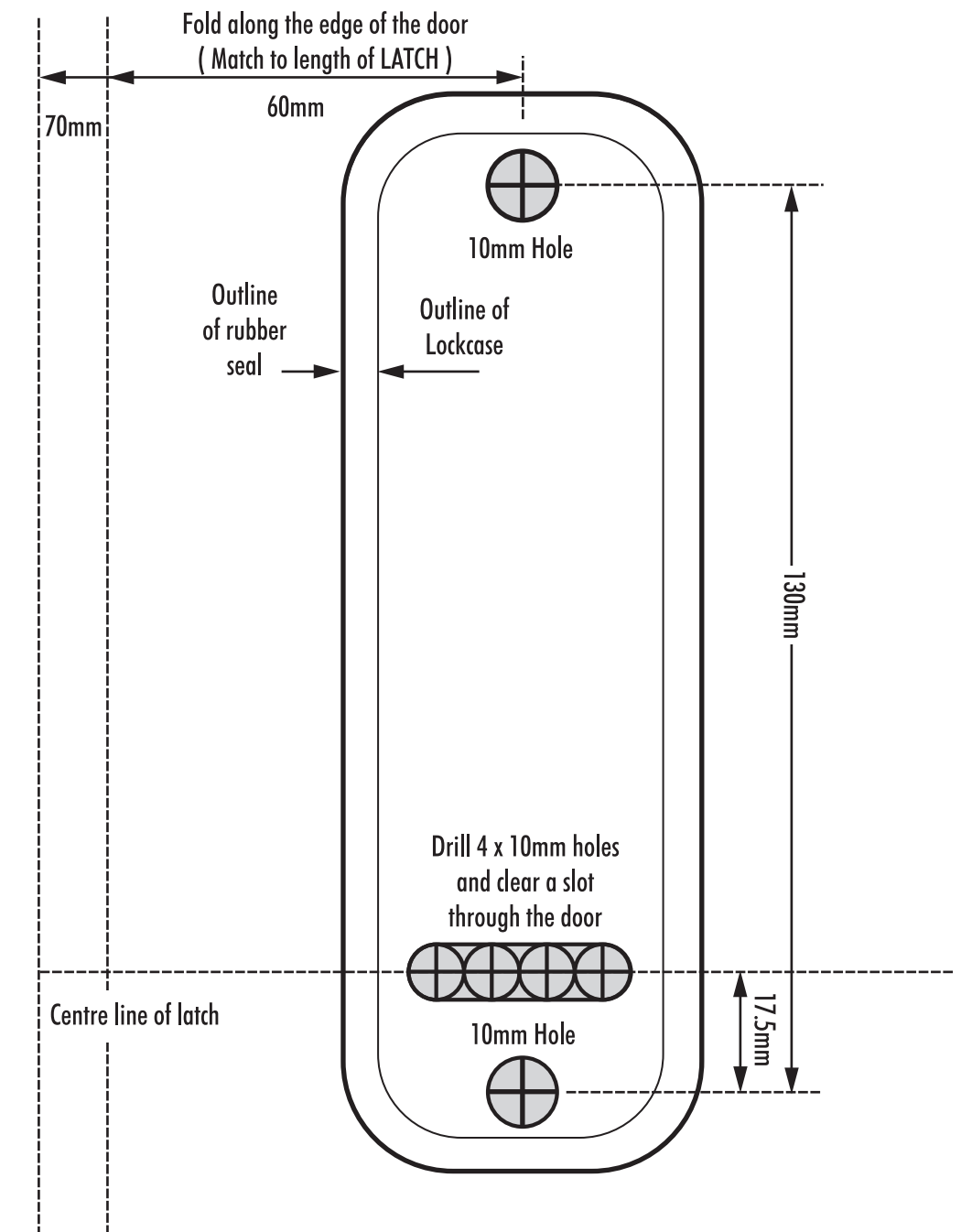
- Make a central point on the 'Centre Line of the Latch' on the door edge.
- Drill a 25mm hole x 85mm deep. *
- Insert the latch into the hole and draw around the face plate.
- Remove the latch and cut a 3mm rebate so that the face plate will fit flush with the door.
- Secure the latch with the wood screws.

* The cam in the latch must have space to rotate freely with sufficient clearance to move upwards when the latch is being withdrawn.

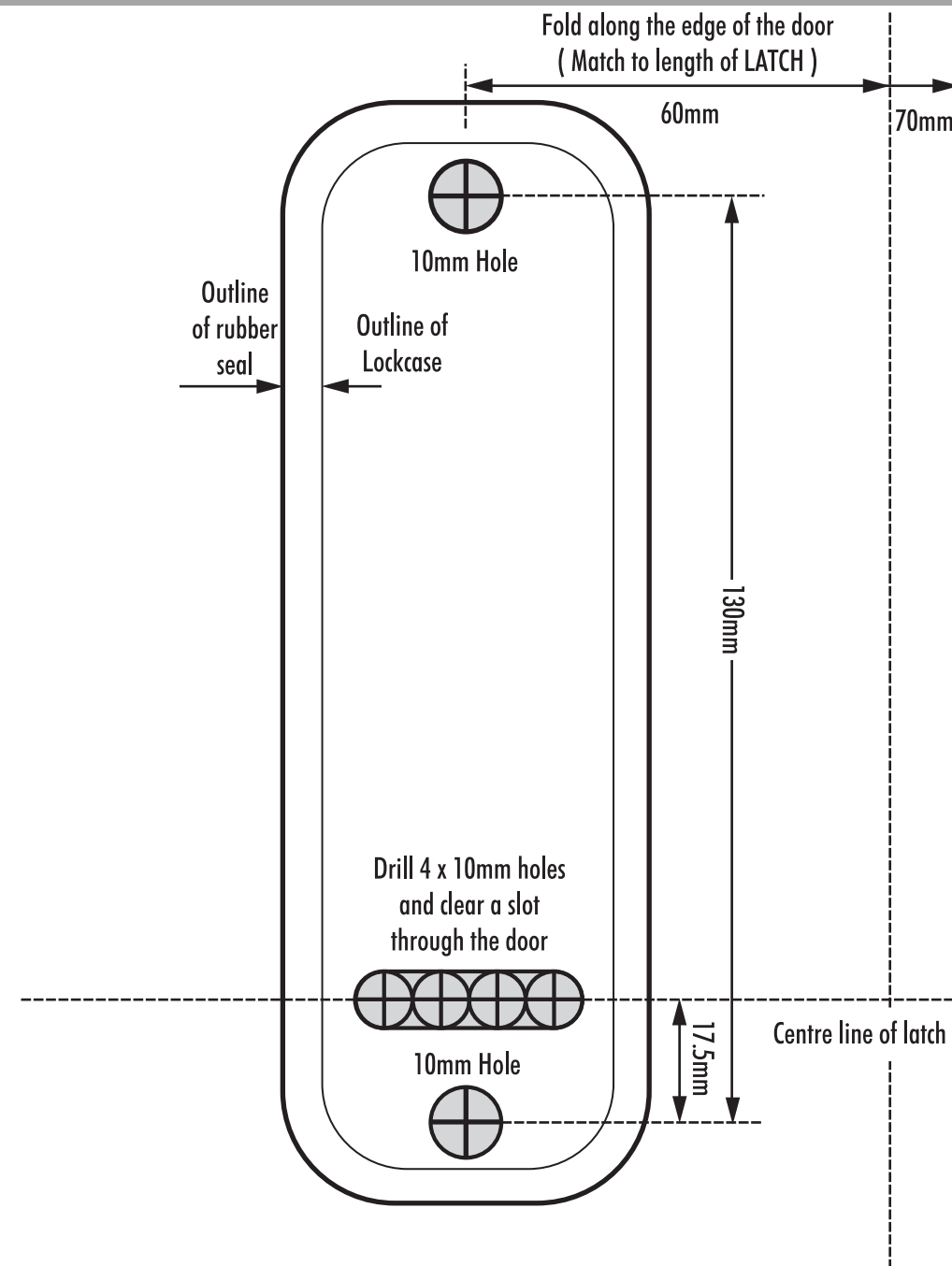
5. Positioning the spindle



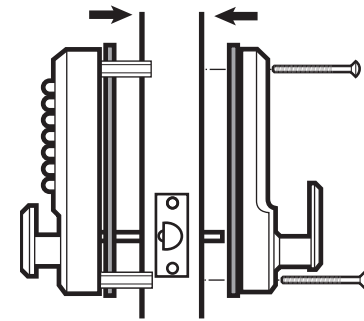
- Select the spindle to suit the thickness of the door.
- Insert the spindle through the slot in the door and make sure that it engages the latch correctly for the hand of the door - (see inset diagram).



Sterling Template



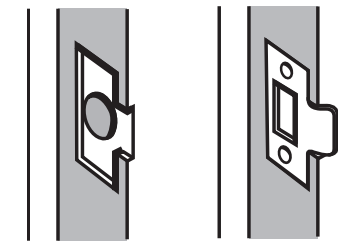
6. Fixing the lock



- Select the fixing bolts to suit the door thickness, allowing enough threaded section to screw into the hexagonal studs.
- Hold the lock case and the backplate, with the seals, onto the door with the spindle in position.
- Using the fixing bolts, screw everything together through the top and bottom holes of the backplate. Before final tightening, make sure the lock is vertical and test the mechanism to ensure that it is all moving easily.

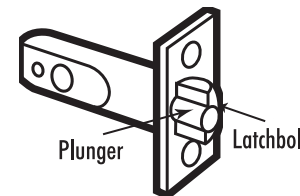
DO NOT CLOSE THE DOOR UNTIL YOU ARE SURE THAT THE CODE WORKS.
DO NOT over tighten the fixing bolts as this may cause distortion and lead to poor operation.

7. Fitting the strike plate



- Position the strike plate on the door so that it lines up with the flat of the latchbolt, **NOT THE PLUNGER**.
- Mark the inner & outer edges of the strike plate and cut a 1mm rebate so that it fits flush with the surface of the door frame.
- Drill or cut a recess for the latchbolt.
- Fit the strike plate using only one wood screw at first to ensure that it is positioned accurately. The latchbolt and **NOT** the plunger, should enter the aperture easily, and be held without too much 'play'.
- When satisfied, secure the strike with the second screw.

N.B. The plunger beside the latchbolt deadlocks the latchbolt and protects it against manipulation. **IT MUST NOT** enter the strike plate aperture when the door is closed.

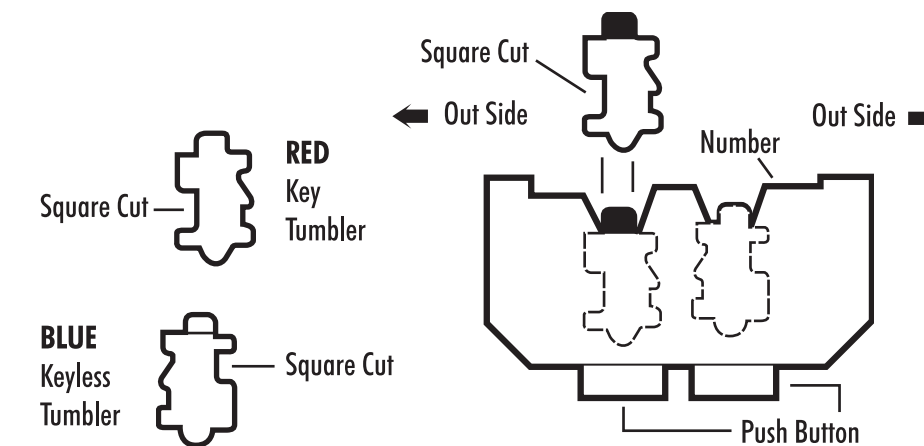


8. Removal of the snib function

If the snib function is not required, you can remove it by unscrewing the 4 screws, one from each corner, (2 long and 2 short) from inside the backplate. This will enable the metal plate, the snib, a small spring and a ball bearing to be removed. Please note that the metal plate, only needs to be replaced. (S2235 / S2235PB & S2235PC)

How to change your code number

1. Remove the lock from the door.
2. Remove the 4 retaining screws from the back of the 'Outside Lock Body'. Take **EXTRA** care to keep the lock body on a flat surface, when you are removing the plate, because there are a lot of small components inside.
3. You will now see that there are 5 **RED** coloured key tumblers and 8 **BLUE** coloured keyless tumblers plus 1 **CLEAR** tumbler ('C' button).
4. To change your code, push the 'C' button down and hold it. You can then easily remove one or more of your key and keyless tumblers, using the tweezers provided.
5. Please note: You should **NEVER** remove the 'C' tumbler.
6. Please note the different shapes of tumbler, before reinserting them into the lock body. Firstly, there is a difference in shape between the key and keyless tumblers, illustrated below, and Secondly, when refitting the tumblers into the lock body, they must be fitted facing the right way. See illustration below.
7. After you have refitted the tumblers and made a note of the new code, please replace the metal plate with the 4 screws.
8. PLEASE NOTE. With the spare tumblers provided, you can either increase the number of digits in your code to 6 or 7 or reduce to 4.



Trouble Shooting Guide

Problems	Cause	Solution
The latch cannot be withdrawn when entering the code.	The lock has been fitted to a left handed hung door.	All locks were set to suit right handed doors. So the lock needs to be removed from the door and reversed. Refer to instructions.
Both inside and outside knobs retract when turned towards the door frame.	The spindle is in position at the wrong angle.	Remove the lock from the door, and re-position the spindle as shown in the instructions.
The knob will not turn after entering a new code.	One or more of the code tumblers are the wrong way around.	Consult the code change instruction and check that the red tumblers are all facing with the square notches outwards.
The latch bolt does not move smoothly in and out.	The lock is not installed correctly.	Check (A) the lock is square on the door and positioned accurately over the latch. (B) That the latch is positioned horizontally and parallel to door surfaces. (C) The spindle length, it may be trapped between the front and backplate if the spindle is too long.
The outside knob turns after entering a correct code but does not retract latch.	The spindle is too short for the door thickness.	If the spindle is too short then it will not engage with both the outside knob and the inside handle at the same time, or it may slip out of one side after same use.

Maintenance:- periodically use a non-greasy lubricant on the latchbolt face, cam, internal & external handle.

Caution when operating

This lock is designed for low traffic areas - excessive use may lead to early failure of components. These components are serviceable items and fall outside of the warranty.

For outward opening doors it is not recommended to use the lock handle as the main method of opening the door. An additional handle should be used.



Sterling Locks Limited
 Leeds Bradford Airport Industrial Estate
 Harrogate Road, Yeadon, Leeds LS19 7WP
www.sterlinglocks.com